

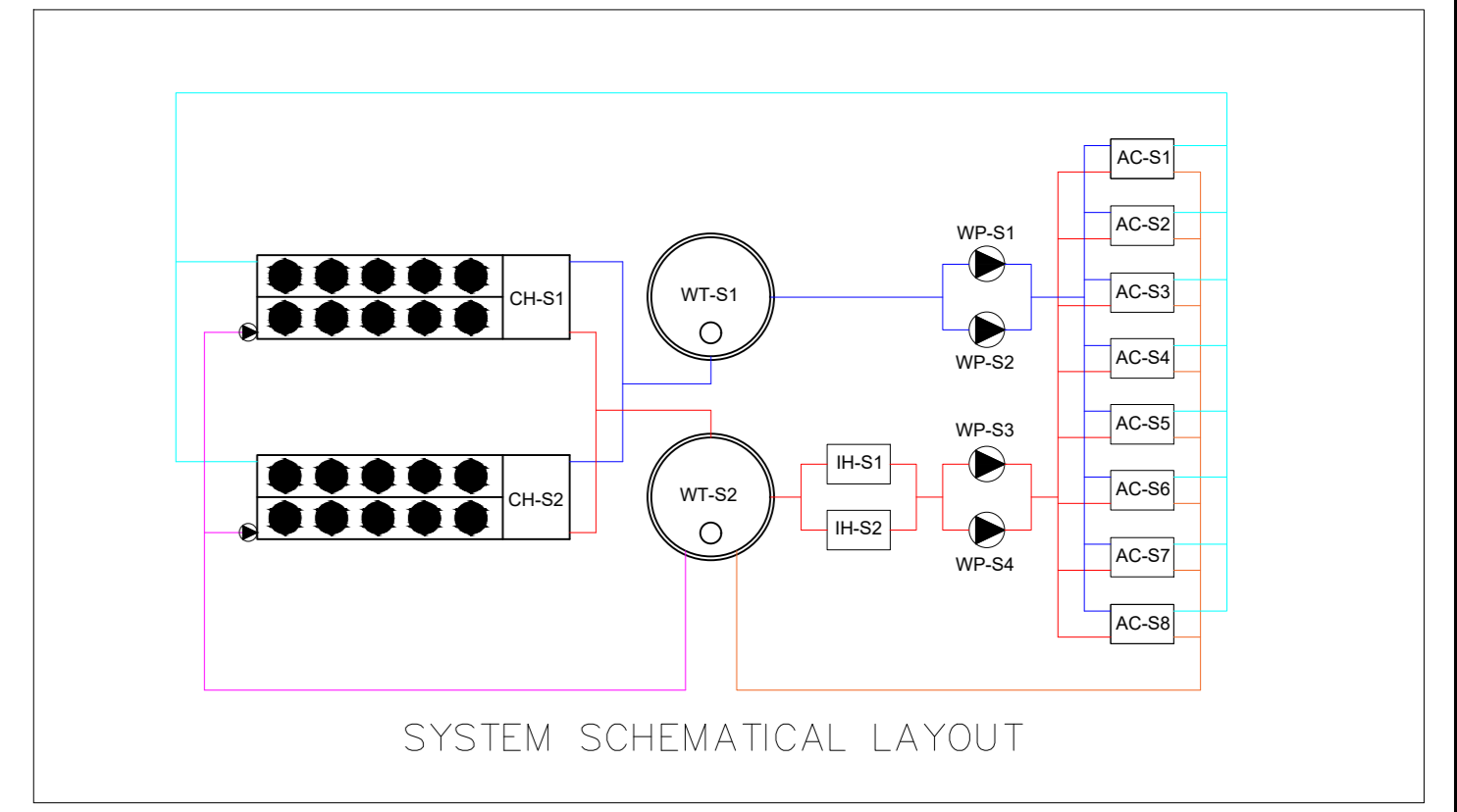
VRF AIR CONDITIONER SCHEDULE					
ALL UNITS SHALL BE OF THE HEAT EXCHANGER VRF 3-PIPE TYPE					
UNIT No.	TOTAL NOMINAL CAPACITY	NOMINAL COOLING	NOMINAL HEATING	ROOM/AREA	POWER SUPPLY
AC-10	2.0 kW	1.66 kW	0.75 kW	-1/A	200-240V / 1 Ph / 3 W POWER POINT TERMINATING IN ISOLATOR AT ADJOUR UNIT BY ELEC CONTRACTOR. CONNECTION TO UNIT BY MECH CONTRACTOR.
AC-11	4.5 kW	2.71 kW	2.51 kW	-1/A	-
AC-12	4.5 kW	2.78 kW	2.51 kW	-1/A	-
AC-13	4.5 kW	3.73 kW	2.51 kW	-1/A	-
AC-14	4.0 kW	2.59 kW	2.51 kW	-1/A	-
AC-15	4.5 kW	2.55 kW	2.51 kW	-1/A	-
AC-16	4.5 kW	2.80 kW	2.51 kW	-1/A	-
AC-17	-	-	-	-1/A	-
AC-18	-	-	-	-1/A	-

SPLIT AIR CONDITIONER SCHEDULE					
ALL UNITS SHALL BE OF THE R410 INVERTER HEAT PUMP TYPE					
UNIT No.	TOTAL NOMINAL CAPACITY	NOMINAL COOLING	NOMINAL HEATING	ROOM/AREA	POWER SUPPLY
AC-19	64 kW	69 kW	3020 W	-	380-415V / 3 Ph / 3 W POWER TERMINATING IN ISOLATOR AT UNIT BY ELEC CONTRACTOR. CONNECTION TO UNIT BY MECH CONTRACTOR.

VENTILATION FAN SCHEDULE					
ALL UNITS SHALL BE OF THE R410 INVERTER HEAT PUMP TYPE					
UNIT No.	TYPE	SIZE / DIAMETER	DUTY	PRESSURE	POWER SUPPLY
FF-53	AXIAL	# 400	630 l/s	350 Pa	380-415V / 3 Ph / 3 W POWER TERMINATING IN ISOLATOR AT UNIT BY ELEC CONTRACTOR. CONNECTION TO FAN BY MECH CONTRACTOR.

GRILLE, DIFFUSER & DAMPER SCHEDULE			
UNIT No.	TYPE	SIZE / DIAMETER	AIR FLOW
VD-1	VOLUME CONTROL DAMPER (MANUAL OPERABLE)	300 X 1500	500 l/s
FD-1	FILTER BOX WITH CLIPS (C/W PRIMARY FILTERS)	300 X 600	430 l/s
FD-2	FILTER BOX WITH CLIPS (C/W PRIMARY FILTERS)	300 X 1500	550 l/s

IN-LINE WATER HEATER SCHEDULE			
ALL UNITS SHALL BE OF THE ELECTRIC ELEMENT TYPE			
UNIT No.	TOTAL NOMINAL CAPACITY	NOMINAL COOLING	NOMINAL HEATING
WH-51	-	-	450 kW



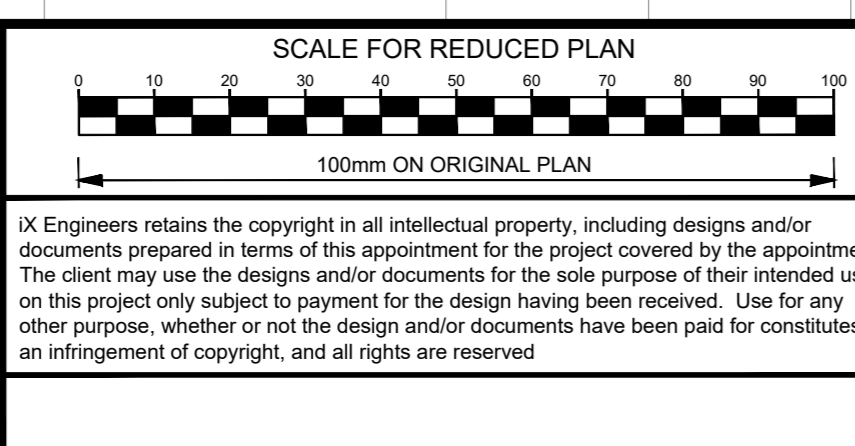
Legends - Water Systems	
	THERMOMETER
	PRESSURE GAUGE
	FLEXIBLE BELLOW
	STRAINER
	PUMP
	NON RETURN VALVE
	MOTORIZED THREE WAY VALVE
	MOTORIZED THREE WAY VALVE
	MOTORIZED CONTROL VALVE
	ISOLATING VALVE
	TWO WAY FLOW CONTROL VALVE
	AUTO AIR RELIEF VALVE
	PRESSURE SENSOR
	FLOW SWITCH
	TEMPERATURE SENSOR
	HOT WATER SUPPLY
	HOT WATER RETURN
	HOT WATER RETURN
	CHILLED WATER SUPPLY
	CHILLED WATER RETURN

Legends - Refrigerant Systems	
	SUPPLY AIR DUCTING
	REFRIGERANT PIPING ROUTE
	R410A REFRIGERANT PIPING ROUTE
	CONTROL WIRING
	WIRED REMOTE
	1PH ISOLATOR BY ELECTRICAL CONTRACTOR
	3PH ISOLATOR BY ELECTRICAL CONTRACTOR

- Notes**
- Do not scale the drawings.
 - All dimensions to be verified on site, prior to manufacturing or ordering of equipment.
 - The installation shall comply with the requirements of the Occupational Health and Safety Act of 1993.
 - Any in-certainties shall be brought to the attention of the consulting engineer.
 - This drawing, or part thereof, shall not be used for any installation project other than this one.
 - All drawings shall be read in conjunction with the specification, bill of quantities and standard drawings.
 - The positions and size of equipment is shown schematically on the drawing. The exact positions will be determined on site.

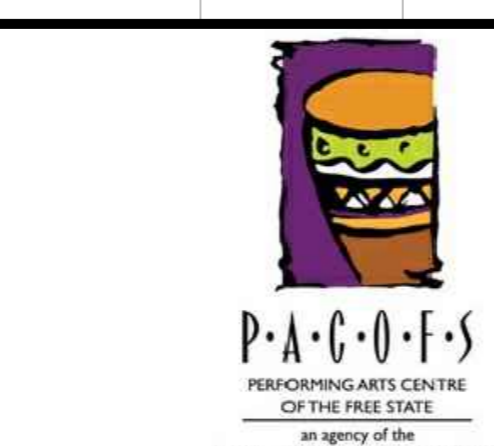
PRELIMINARY FOR INFORMATION ONLY FOR APPROVAL FOR TENDER PURPOSES FOR CONSTRUCTION

AMENDMENT				
NO	DATE	CHECKED	DONE BY	DESCRIPTION
A	20/09/2022	MCH	MCH	FOR INFORMATION
B	30/09/2022	MCH	MCH	FOR TENDER PURPOSES



IX engineers
Infrastructure Excellence
P.O. BOX 38157
LANGENHOVEN PARK
BLOEMFONTEIN 9301
TEL. (051) 411 8040
E-mail: mc.h@ixengineers.co.za

DESIGNED	MCH	CONSULTING ENGINEER
DRAWN	MCH	DATE
		CLIENT



CLIENT
12 FIRST AVENUE
BLOEMFONTEIN CENTRAL
BLOEMFONTEIN, 9301
TEL. (051) 447 7771
E-mail: paul@pacofs.co.za

PROJECT
BID/HVAC/CAPEX/2/2022
PACOFS HEATING, VENTILATION
AND AIR CONDITIONING (HVAC)
PROJECT

DRAWING DESCRIPTION
SAND DU PLESSIS THEATER
HVAC SYSTEM LAYOUT
K+ FLOOR (LEVEL 4.400)

SCALE	1:100
ORIGINAL (DWG SIZE A0)	DATE
	30/09/2022
DRAWING NUMBER	REV NO
301769-HVAC-03	TD