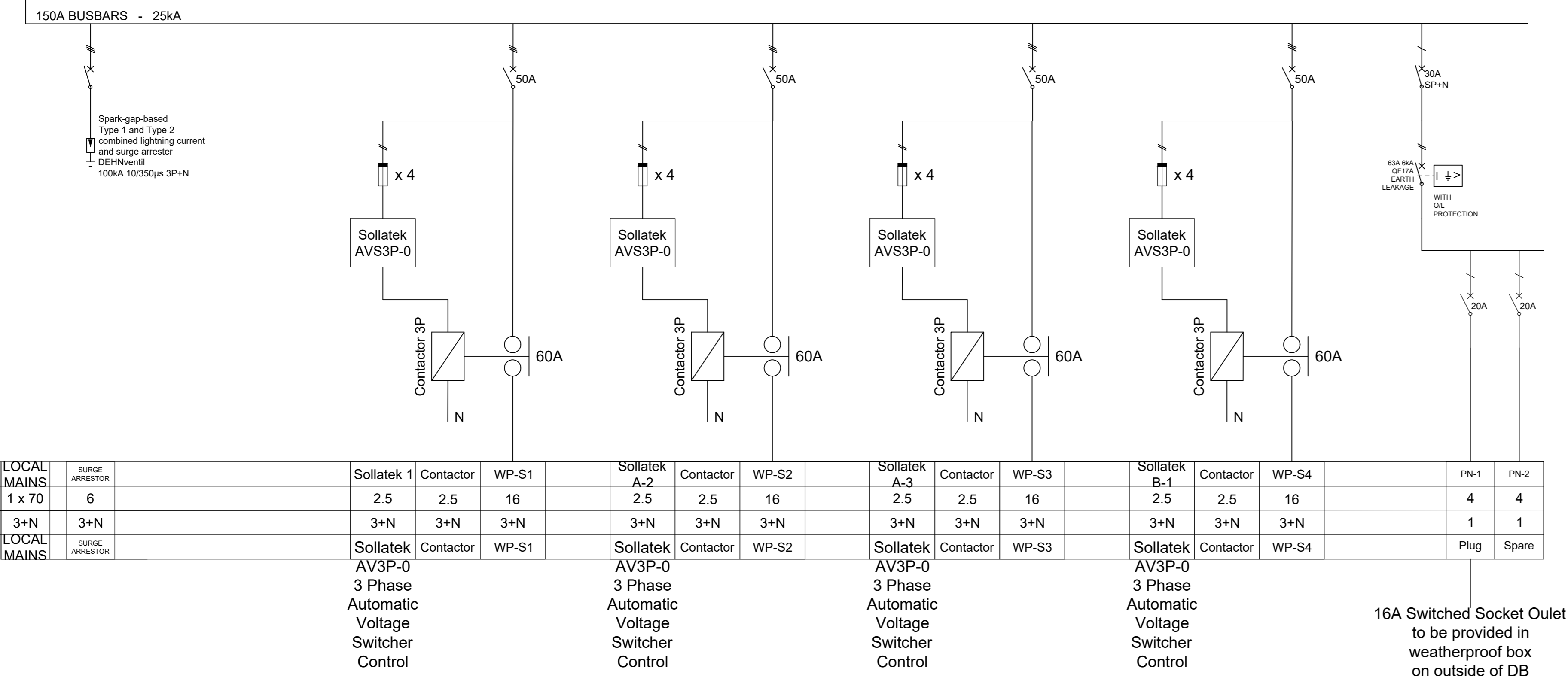


PACOFs
DB-S3 [HVAC MCC] (EMERGENCY POWER)
 (Outdoors IP54 - Floor Standing)

Supply from: 1000kVA Minisub
 Supply Cable(s):
 1 x 70mm² x 4-core 3-Phase PVC/SWA/PVC/SWA
 1 x 70mm² PVC Covered Copper Earth Wire

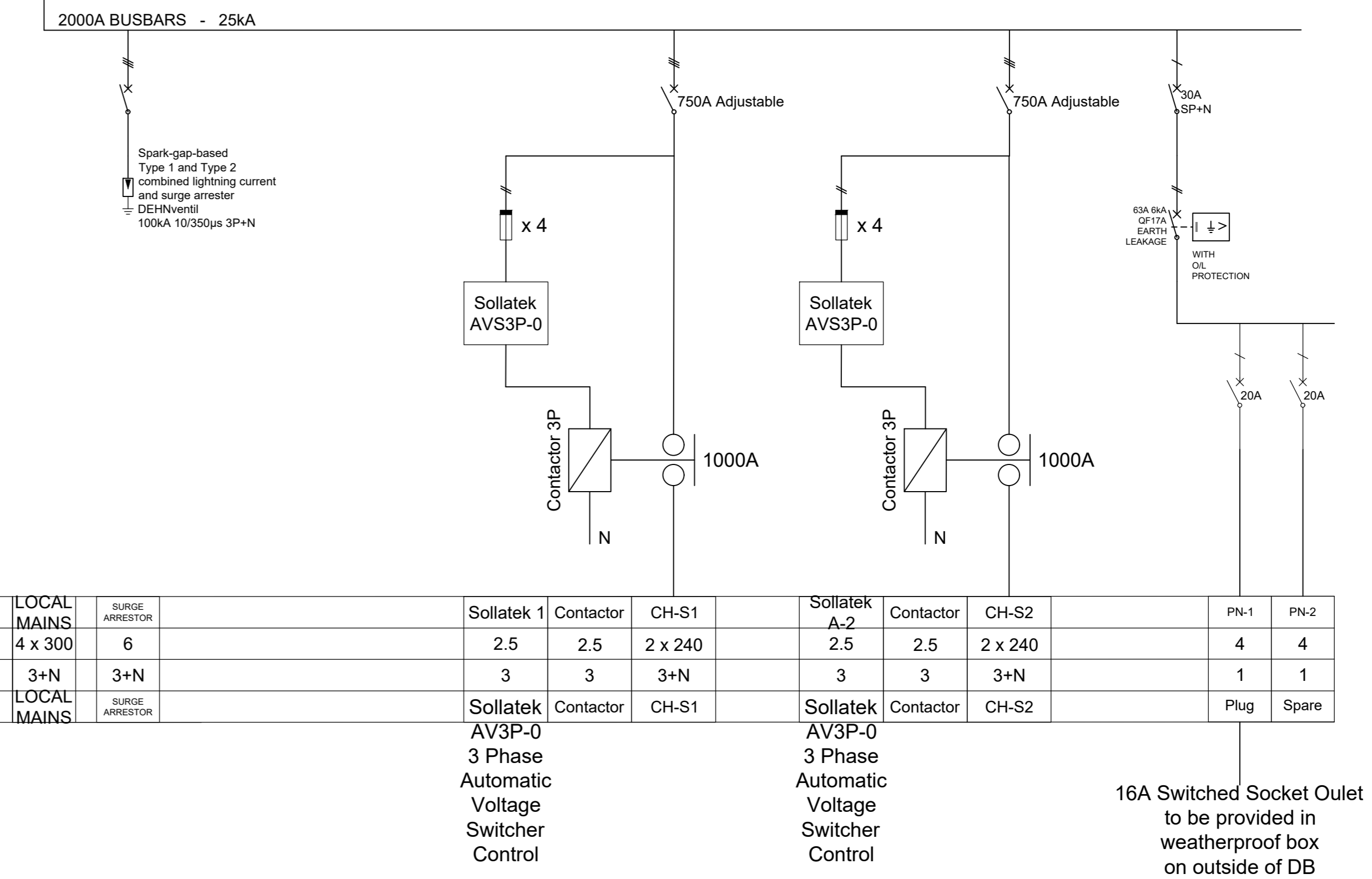
Local Mains
 150A 4P Circuit Breaker | Adjustable | 25kA
 (Supply stubby busbars to accommodate supply cables lugs)



PACOFs
DB-S1 [HVAC MCC] (EMERGENCY POWER)
 (Outdoors IP54 - Floor Standing)

Supply from: 1000kVA Minisub
 Supply Cable(s):
 4 x 300mm² x 4-core 3-Phase PVC/SWA/PVC/SWA in Parallel
 4 x 300mm² PVC Covered Copper Earth Wire

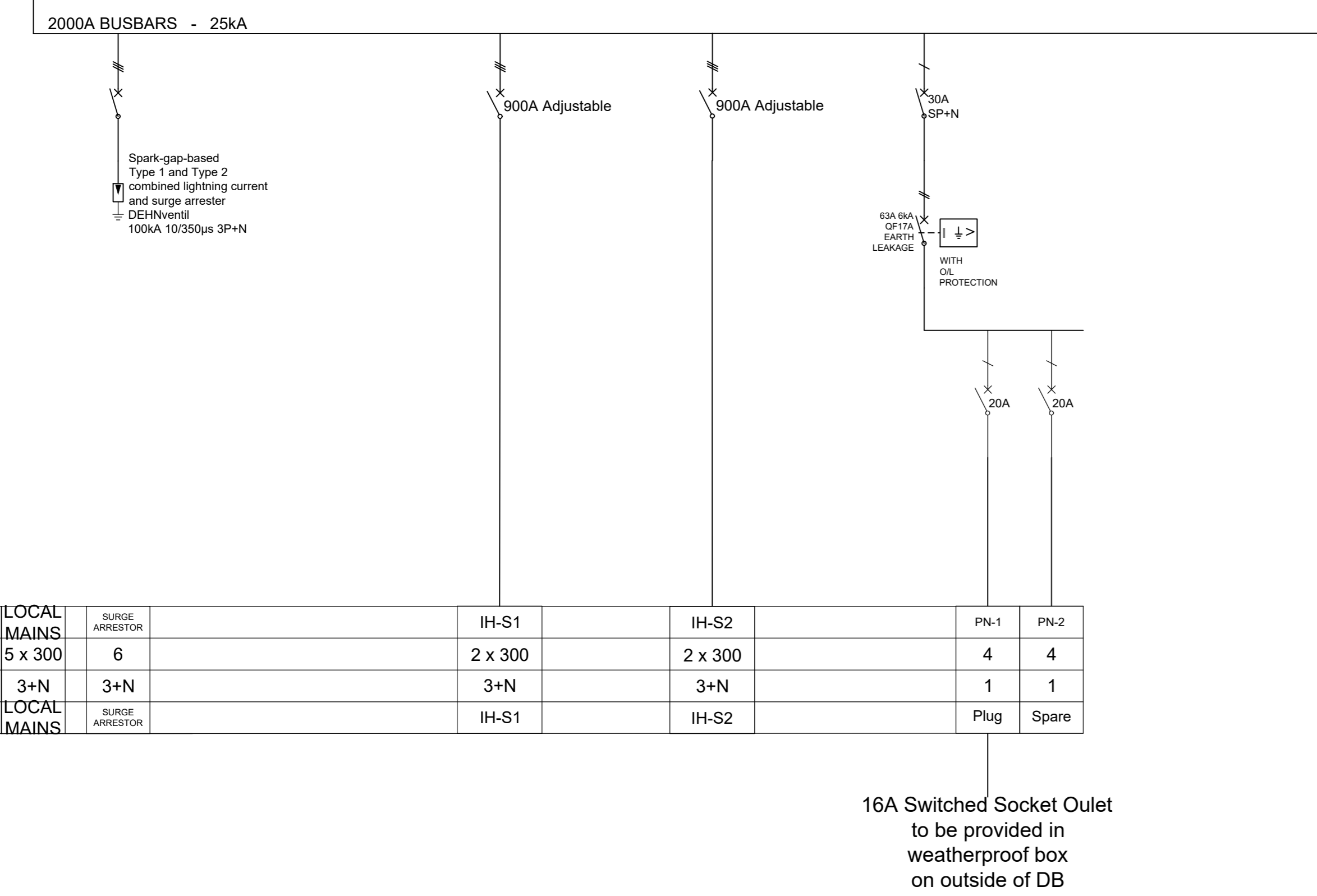
Local Mains
 1500A 4P Circuit Breaker | Adjustable | 25kA
 (Supply stubby busbars to accommodate supply cables lugs)



PACOFs
DB-S2 [HVAC MCC] (EMERGENCY POWER)
 (Outdoors IP54 - Floor Standing)

Supply from: 1250kVA Minisub
 Supply Cable(s):
 5 x 300mm² x 4-core 3-Phase PVC/SWA/PVC/SWA in Parallel
 5 x 300mm² PVC Covered Copper Earth Wire

Local Mains
 2000A 4P Circuit Breaker | Adjustable | 25kA
 (Supply stubby busbars to accommodate supply cables lugs)



LEGEND

SYMBOLS	DESCRIPTIONS
	DISTRIBUTION BOARD
	ISOLATOR - 3-POLE - 30A W = ISOLATOR IN WEATHERPROOF BOX ISOLATOR - 3-POLE - 45A W = ISOLATOR IN WEATHERPROOF BOX
	SURGE ARRESTORS
	FUSE
	CIRCUIT BREAKER IN DISTRIBUTION BOARD / KIOSK / STUBBY 1-POLE 2-POLE 3-POLE 4-POLE
	CIRCUIT ISOLATOR (DISCONNECTOR) IN DISTRIBUTION BOARD / KIOSK / STUBBY 1-POLE 2-POLE 3-POLE 4-POLE
	DAYLIGHT SWITCH IN CIRCUIT 16A LIGHT SWITCH ON FRONT PANEL OF DB BOARD

Notes

- Do not scale the drawings.
- All dimensions to be verified on site, prior to manufacturing or ordering of equipment.
- The installation shall comply with the requirements of the Occupational Health and Safety Act of 1993.
- Any in-qualities shall be brought to the attention of the consulting engineer.
- This drawing, or part thereof, shall not be used for any installation project other than this one.
- All drawings shall be read in conjunction with the specification and standard drawings.
- The positions of equipment is shown schematically on the drawing. The exact positions will be determined on site.

CLIENT APPROVAL: _____ DATE _____

FACILITIES MANAGEMENT: _____

FACILITIES PLANNING: _____

DEPARTMENT HEAD: _____

NOTES	<p>FOR TENDER</p> <p>(X) engineers retains the copyright in all intellectual property, including designs and/or documents prepared in terms of this appointment for the project covered by the appointment. The client may use the design and/or documents for the sole purpose of their intended use on this project only subject to payment for the design having been received. Use for any other purpose, whether or not the design and/or documents have been paid for constitutes an infringement of copyright, and all rights are reserved.</p> <p>All dimensions must be verified on site before the works commence. Refer any discrepancies to the Engineer.</p> <p>Copyright reserved</p>	<p>REVISION SCHEDULE</p> <table border="1"> <thead> <tr> <th>No</th> <th>DATE</th> <th>DESCRIPTION</th> <th>DRW</th> <th>CHR</th> </tr> </thead> <tbody> <tr> <td> </td> <td> </td> <td> </td> <td> </td> <td> </td> </tr> </tbody> </table>	No	DATE	DESCRIPTION	DRW	CHR						<p>CONSULTING ENGINEER</p> <p>20120142 PR No</p> <p>2022/09/30 DATE</p> <p>CLIENT</p> <p>SIGNATURE: _____</p> <p>DESIGNED: JVT DRAWN: JVT CHECKED: MCH</p>	<p>CONSULTANT</p> <p>ixengineers Infrastructure Excellence</p> <p>31 Allen Drive Loventstein Cape Town 7530 Tel: +27 (0) 21 912 3000 Fax: +27 (0) 21 912 322 www.ixengineers.co.za</p>	<p>CLIENT</p> <p>12 FIRST AVENUE BLOEMFONTEIN CENTRAL BLOEMFONTEIN, 9301 TEL: (051) 447 7771 E-mail: paul@pacofs.co.za</p>	<p>PROJECT</p> <p>BID/HVAC/CAPEX/2/2022 PACOFs HEATING, VENTILATION AND AIR CONDITIONING (HVAC) PROJECT</p>	<p>DRAWING DESCRIPTION</p> <p>MCC's SINGLE LINE DIAGRAMS SLD3</p>	<p>SCALE FOR REDUCED PLAN</p> <p>DATE: 2022/09/30 SCALE: NOT TO SCALE ORIGINAL SIZE: A0</p> <p>DRAWING NUMBER: P301769-E-LA-022 REV: TD</p>
			No	DATE	DESCRIPTION	DRW	CHR											
<p>10/21/2022 4:58:10 Printed By: Jan Van Tonger (Bloemfontein)</p>																		